

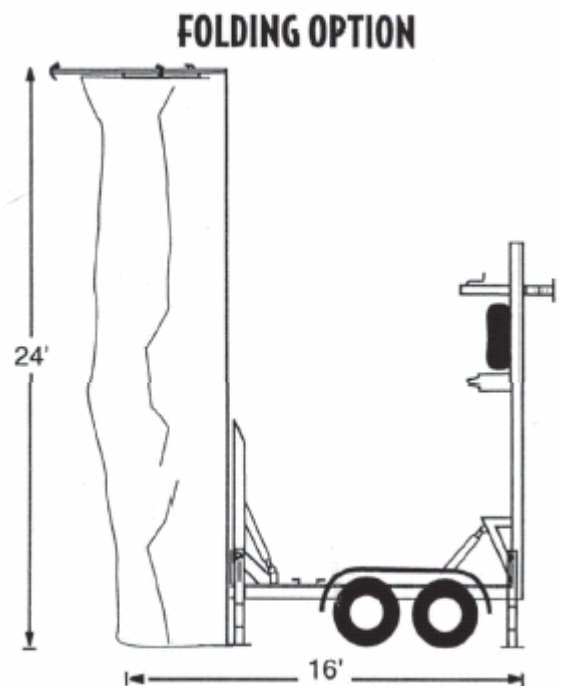
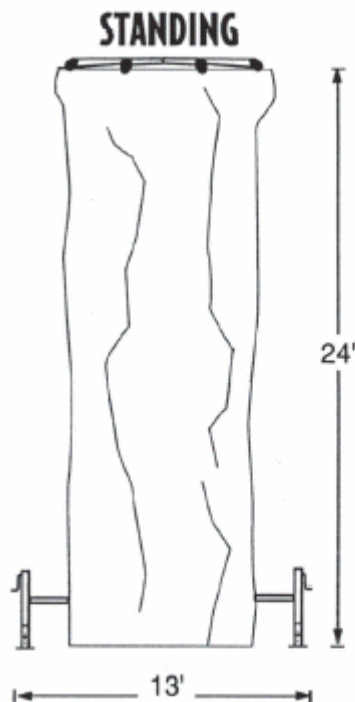
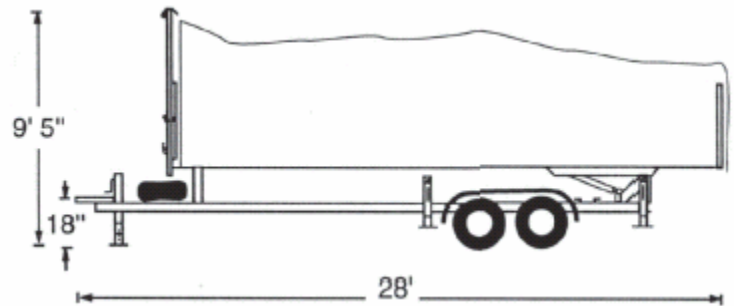
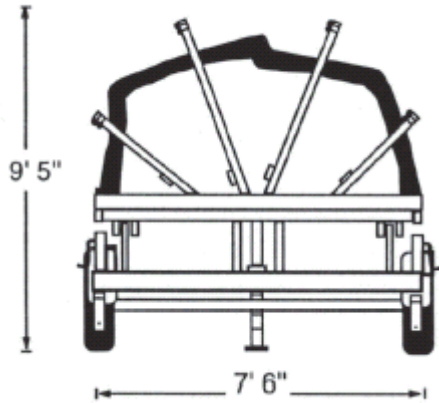
7.3m (24ft) Mobile Climbing Tower

SPECIFICATIONS

- Weight: 2,700 kg
- Tongue Weight 170 kg
- 20 Minute set-up time (2 people)
- Flat hard pitch ideal for jacks
- 25mm safety mats and barriers needed 2.5m from climbing surface plus safety barriers

EURO TRAILER

- European electric connector
- Dual axle Hydraulic brake system
- European marker lights
- UK parking brake with UK break away system



- Not to Scale -

K2 Mobile Climbing Tower

